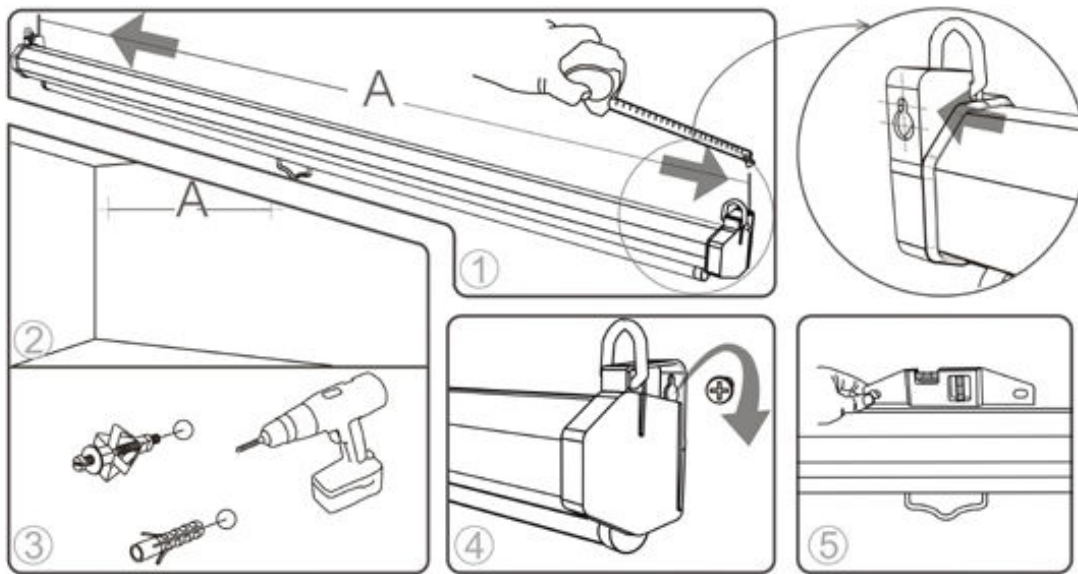


Installation

Wall Mount

Using a tape measure, measure the distance between the two keyholes on the casing (figure 1). According to the measurement, use the drill to drill identical holes of the appropriate size on the wall (use a smaller drill bit than the actual screws) and ensure that it is level (figure 2 & 3). Screw in the appropriate screws, (using anchors for drywalls), leaving enough space at the end to hang the casing (figure 4). To ensure that the screen is level, use a level to check (figure 5).



Ceiling Mount

Using a tape measure, measure the distance between the two rings for hanging on the casing. (Figure 1). According to the measurement, use the drill to drill identical holes of the appropriate size (use a smaller drill bit than the actual hook screws) on the ceiling and ensure that it is level (Figure 2 and 3). Screw in the hook screws (not provided), and lift the screen into the hooks screws to hang (Figure 4). To ensure that the screen is level, use a leveler to check (Figure 5).

